



The easiest switch to comfortable white light

MASTER CityWhite CDO-TT

Ceramic metal halide lamp with clear tubular outer bulb shape, used in outdoor offering pleasant white light

Benefits

- White warm colour impression providing comfort and safety
- Easy upgrade from SON to white light without additional cost
- Flexible light levels and reduced energy consumption possible via dimming option

Features

- High-quality white light
- Directly retrofit on HPS (SON/NAV) installations for upgrade from yellow to white light
- "Plus" concept with high efficacy translates into high light output and improved lumen maintenance
- Good colour rendering and harmonized warm white colour temperature
- Dimmable

Application

- Beautification and functional lighting for City centers, shopping centers and pedestrian areas, residential areas, road lighting and floodlighting

Warnings and Safety

- Use only in totally enclosed luminaire, even during testing (IEC61167, IEC 62035, IEC60598)
- The luminaire must be able to contain hot lamp parts if the lamp ruptures
- Lamps may use electronic or electromagnetic control gear
- Control gear must include end-of-life protection (IEC61167, IEC 62035)

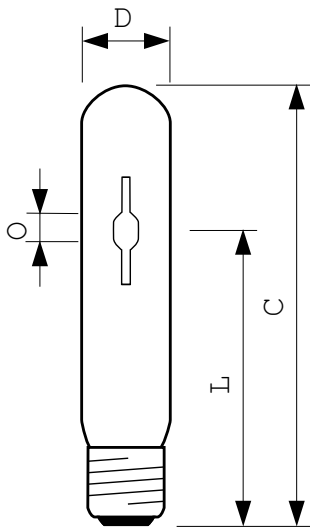
PHILIPS

Related products



CDO-TT Plus 70W /828 E27

Dimensional drawing



CDO-TT Plus, 50W/70W, E27

CDO-TT Plus 50W/828 E27

Product	D	O	L	C
MASTER CityWhite CDO-TT Plus 50W/828 E27	36 mm	5.25 mm	102 mm	156 mm

General Information (1/2)

order code	Bulb Shape	Cap-Base	Life To 10% Failures (Nom)	Life To 20% Failures (Nom)	Life To 50% Failures (Nom)	Life To 5% Failures (Nom)	LSF 12000 h Rated	LSF 16000 h Rated	LSF 2000 h Rated	LSF 20000 h Rated
12030800	T35	E27	12000	16500	27000	9500	90	81	99	71
12034600	T46	E40	20000	22500	27000	18000	99	97	99	90

General Information (2/2)

order code	LSF 4000 h Rated	LSF 6000 h Rated	LSF 8000 h Rated	Operating Position
12030800	99	98	96	UNIVERSAL

order code	LSF 4000 h Rated	LSF 6000 h Rated	LSF 8000 h Rated	Operating Position
12034600	99	99	99	UNIVERSAL

Light Technical (1/2)

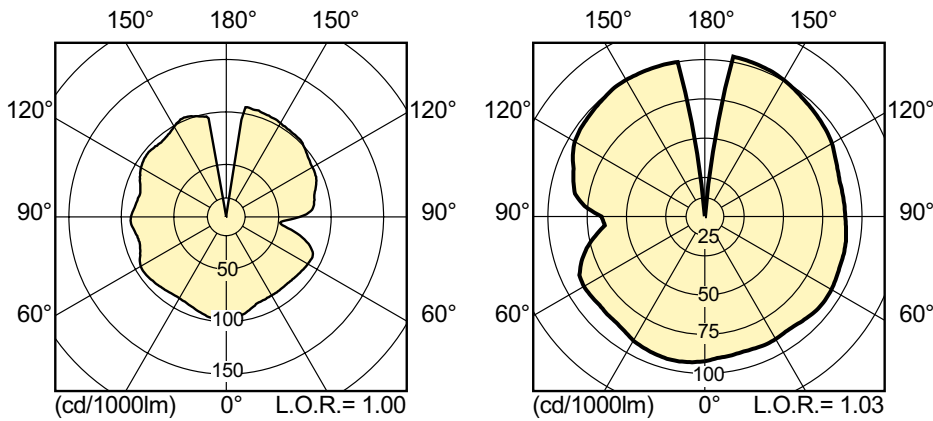
order code	Chromaticity Coordinate X (Nom)	Chromaticity Coordinate Y (Nom)	Color Designation	Correlated Color Temperature (Nom)	Color Rendering Index (Nom)	LLMF 12000 h Rated	LLMF 16000 h Rated	LLMF 2000 h Rated	LLMF 20000 h Rated	LLMF 4000 h Rated
12030800	446	393	Warm white (WW)	2800	90	80.5	76.5	97	73.5	93
12034600	445	395	Warm white (WW)	2800	87	85	82	95	80	92

Light Technical (2/2)

order code	LLMF 6000 h Rated	LLMF 8000 h Rated	Luminous Efficacy (rated) (Nom)	Luminous Flux (Rated) (Nom)
12030800	89.5	86	103	7500

order code	LLMF 6000 h Rated	LLMF 8000 h Rated	Luminous Efficacy (rated) (Nom)	Luminous Flux (Rated) (Nom)
12034600	90	88	110	16500

Light technical



Operating and Electrical

order code	Lamp Current (EM) (Nom)	Voltage (Max)	Voltage (Min)	Voltage (Nom)	Power (Rated) (Nom)	Re-Ignition Time (Min) (Max)
12030800	0.95	101	85	93	70	720
12034600	1.8	106	90	98	150	900

Mechanical and Housing

order code	Bulb Finish
12030800	Clear (CL)
12034600	Clear (CL)

Luminaire Design Requirements

order code	Bulb Temperature (Max)
12030800	350
12034600	450

Approval and Application

order code	Energy Consumption kWh/1000 h	Energy Efficiency Label (EEL)	Mercury (Hg) Content (Nom)
12030800	80	A+	6.8
12034600	162	A+	15.8



© 2016 Philips Lighting Holding B.V.
All rights reserved.

Specifications are subject to change without notice. Trademarks are the property of Koninklijke Philips N.V. (Royal Philips) or their respective owners.

www.philips.com/lighting

2016, May 9
data subject to change